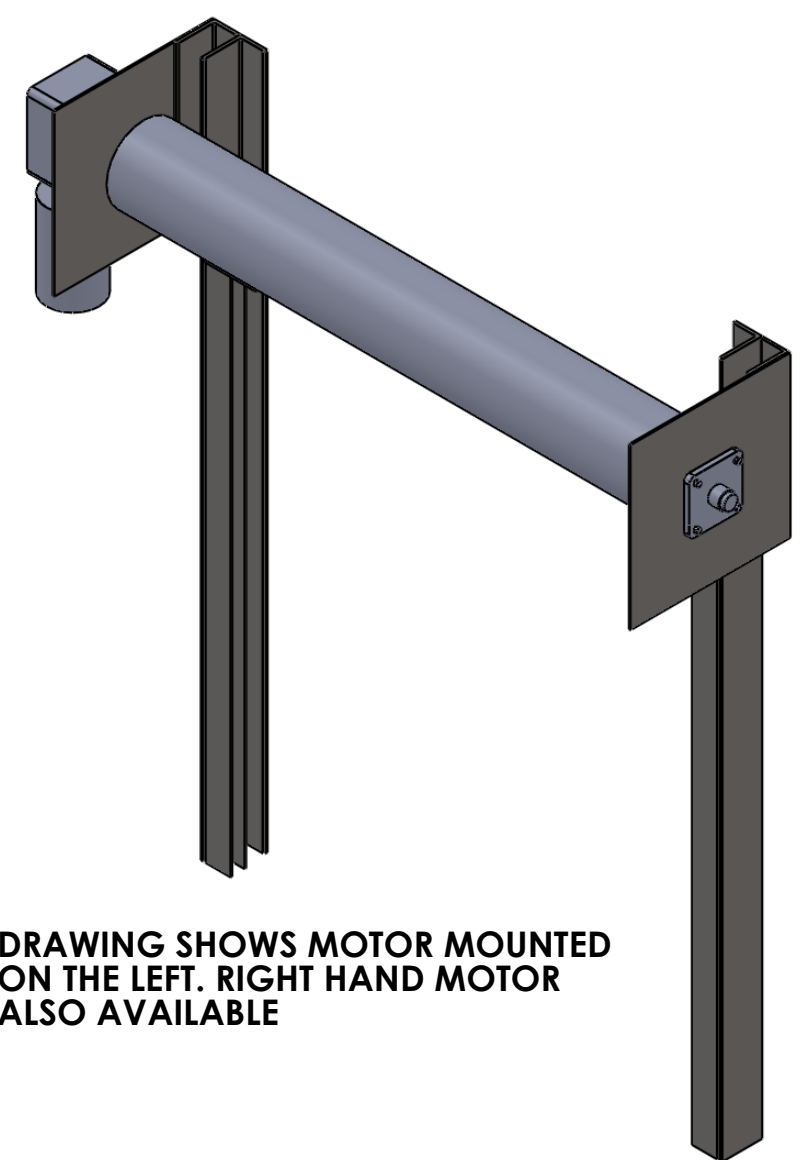


SECTION A/A



**DRAWING SHOWS MOTOR MOUNTED ON THE LEFT. RIGHT HAND MOTOR ALSO AVAILABLE**

DRAWING SHOWS A LEFT HAND MOTOR MOTOR AVAILABLE EITHER END

**Attenborough Doors Ltd**

Merlin Way, Quarry Hill Industrial Park, Ilkeston  
Derbyshire, DE7 4RA, Tel 0115 9300815, Fax 0115 9448930

	NAME	DATE
DRAWN	ANDREW NIGHTINGALE	
CHK'D		
APPV'D		
MFG		
Q.A		
		DWG NO.

TITLE:	
<b>ELECTRICALLY OPERATED SAFEDRIVE ROLLER SHUTTER</b>	
SITE DETAILS:	A4